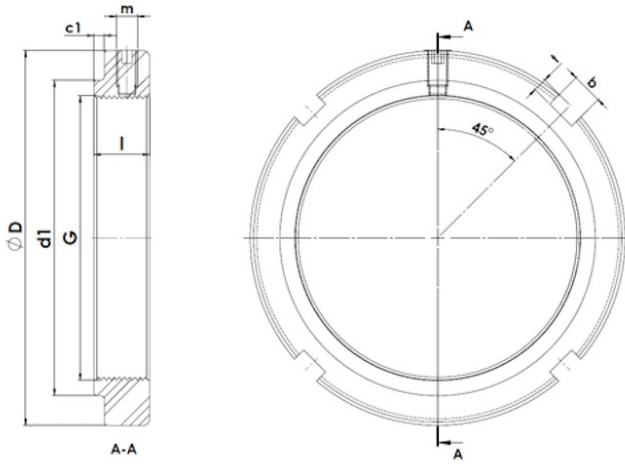




KMS1-06

Lock nut with integrated clamping element



Technical data

G	M30x1,5
l (mm)	10.5
D (mm)	45
d1 (mm)	36
c1 (mm)	2
m	M5
b (mm)	5
t (mm)	2
Weight (kg)	0.07