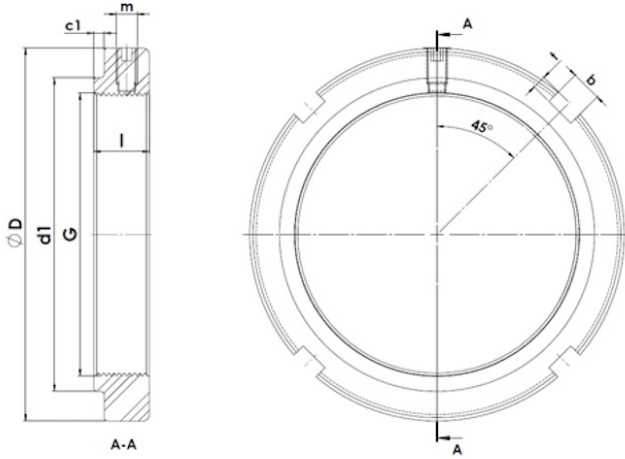




# KMS1-05

Lock nut with integrated clamping element



## Technical data

G	M25x1,5
l (mm)	10.5
D (mm)	38
d1 (mm)	31
c1 (mm)	2
m	M5
b (mm)	5
t (mm)	2
Weight (kg)	0.05