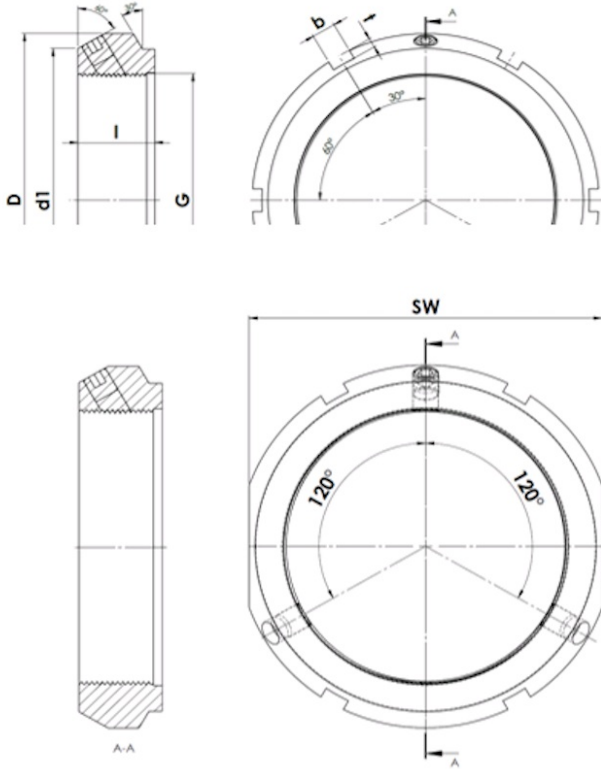




KMT 28

KMT - Precision clamp nut with three radial clamping pins



Technical data

G	M140x2
l (mm)	32
D (mm)	175
d1 (mm)	162
SW (mm)	-
b (mm)	14
t (mm)	6
Weight (kg)	1.8

GTIN/EAN

