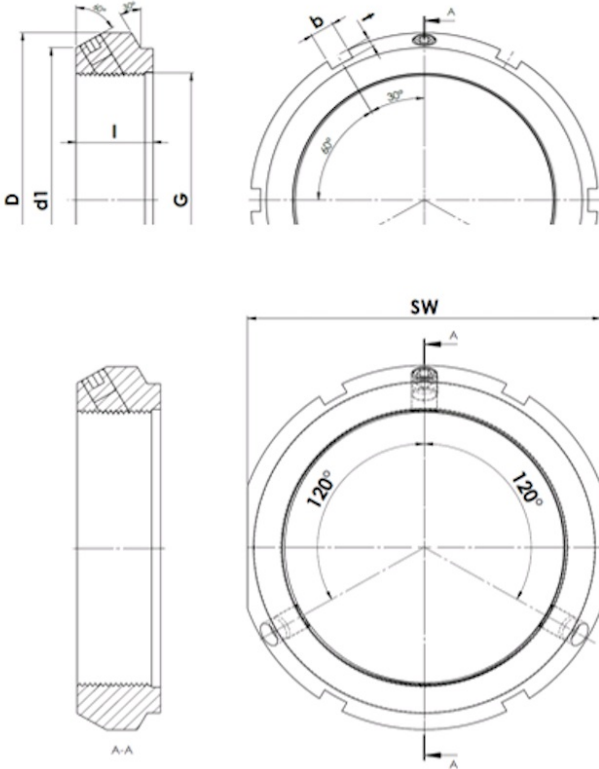




KMT 12

KMT - Precision clamp nut with three radial clamping pins



Technical data

G	M60x2
l (mm)	26
D (mm)	90
d1 (mm)	78
SW (mm)	85
b (mm)	8
t (mm)	3.5
Weight (kg)	0.61

GTIN/EAN

