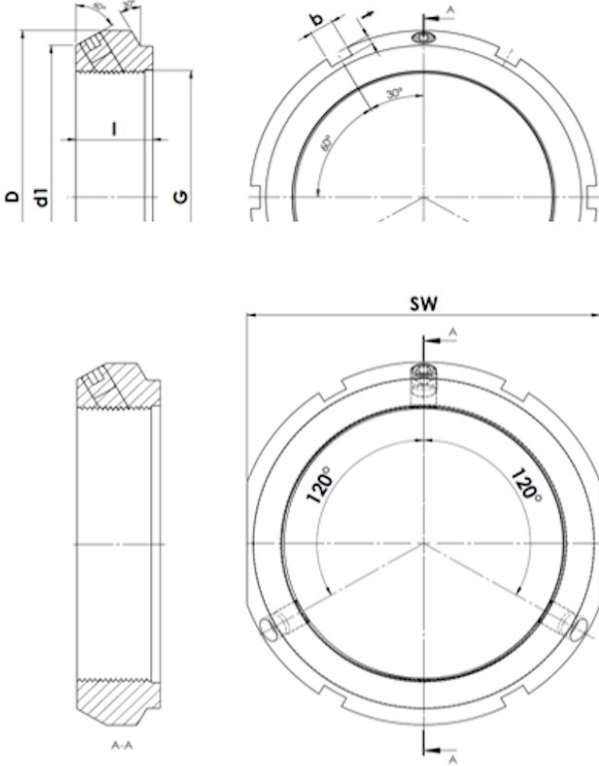




KMT 7

KMT - Precision clamp nut with three radial clamping pins



Technical data

| | |
|-------------|---------|
| G | M35x1,5 |
| l (mm) | 22 |
| D (mm) | 54 |
| d1 (mm) | 46 |
| SW (mm) | 50 |
| b (mm) | 5 |
| t (mm) | 2 |
| Weight (kg) | 0.19 |

GTIN/EAN

