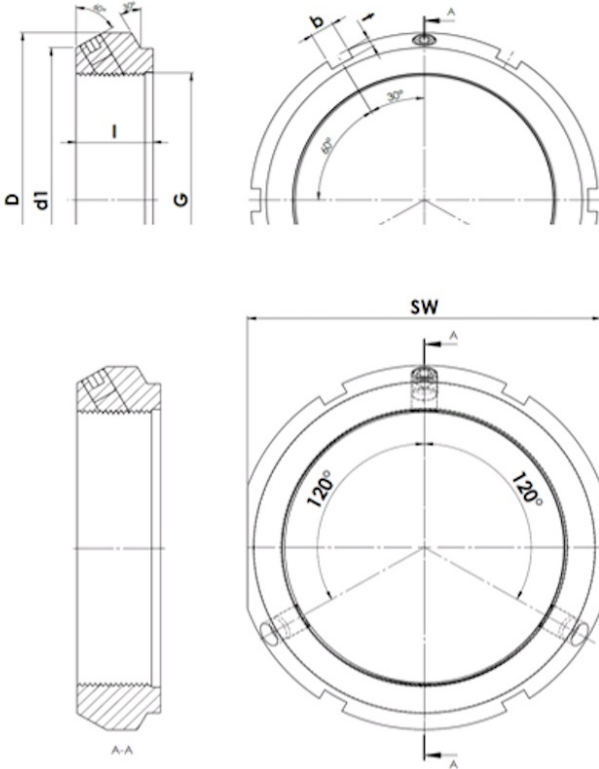




# KMT 1

KMT - Precision clamp nut with three radial clamping pins



## Technical data

G	M12x1
l (mm)	14
D (mm)	30
d1 (mm)	23
SW (mm)	27
b (mm)	4
t (mm)	2
Weight (kg)	0.05

GTIN/EAN

