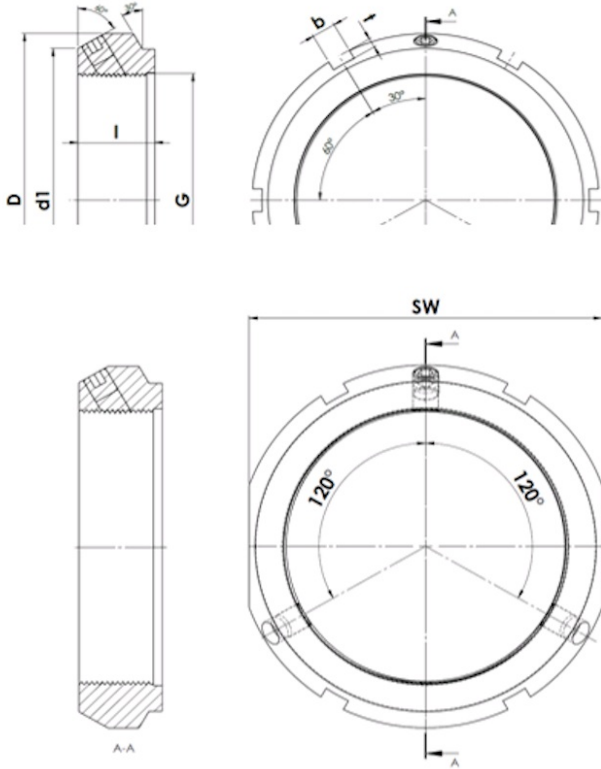




KMT 0

KMT - Precision clamp nut with three radial clamping pins



Technical data

G	M10x0,75
l (mm)	14
D (mm)	28
d1 (mm)	21
SW (mm)	24
b (mm)	4
t (mm)	2
Weight (kg)	0.05

GTIN/EAN

