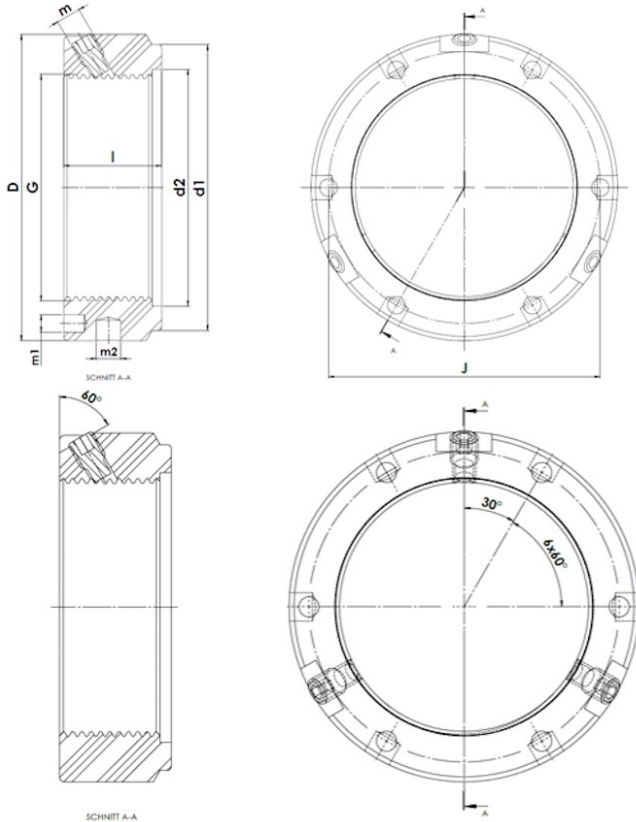




# KMTA 36

KMTA - Precision clamp nut, heavy duty, with three radial clamping pins



## Technical data

G	M180x3
l (mm)	32
D (mm)	230
d1 (mm)	215
d2 (mm)	182
J (mm)	210
m	M10
m1 (mm)	8
m2 (mm)	10
Weight (kg)	3.9