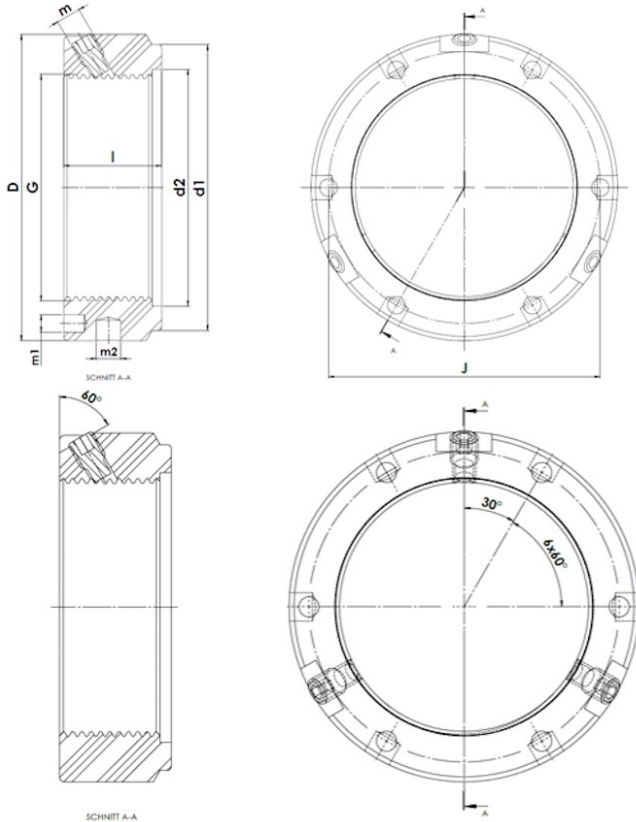




KMTA 28

KMTA - Precision clamp nut, heavy duty, with three radial clamping pins



Technical data

| | |
|-------------|--------|
| G | M140x3 |
| l (mm) | 32 |
| D (mm) | 180 |
| d1 (mm) | 166 |
| d2 (mm) | 142 |
| J (mm) | 165 |
| m | M10 |
| m1 (mm) | 6 |
| m2 (mm) | 10 |
| Weight (kg) | 2.45 |