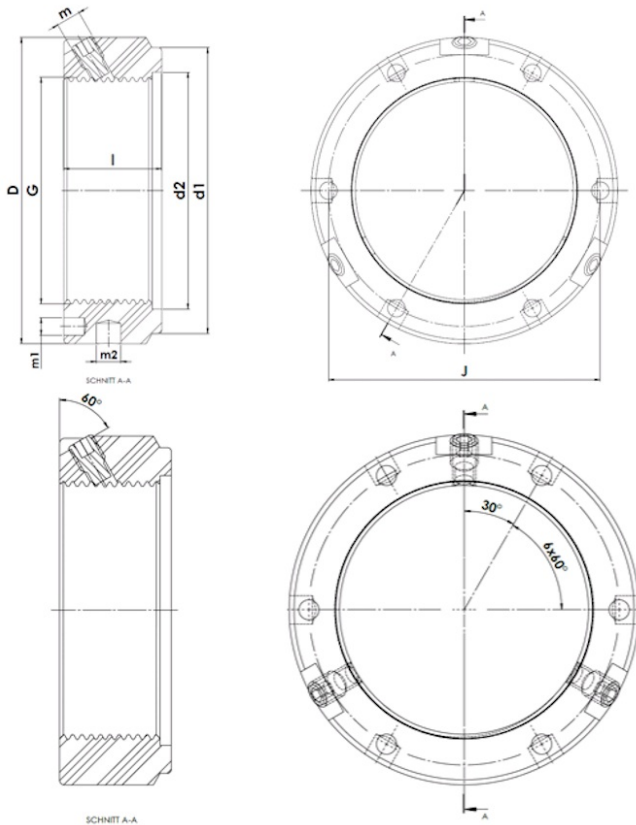




KMTA 26

KMTA - Precision clamp nut, heavy duty, with three radial clamping pins



Technical data

G	M130x3
l (mm)	32
D (mm)	165
d1 (mm)	156
d2 (mm)	132
J (mm)	153
m	M10
m1 (mm)	6
m2 (mm)	8
Weight (kg)	2

GTIN/EAN

