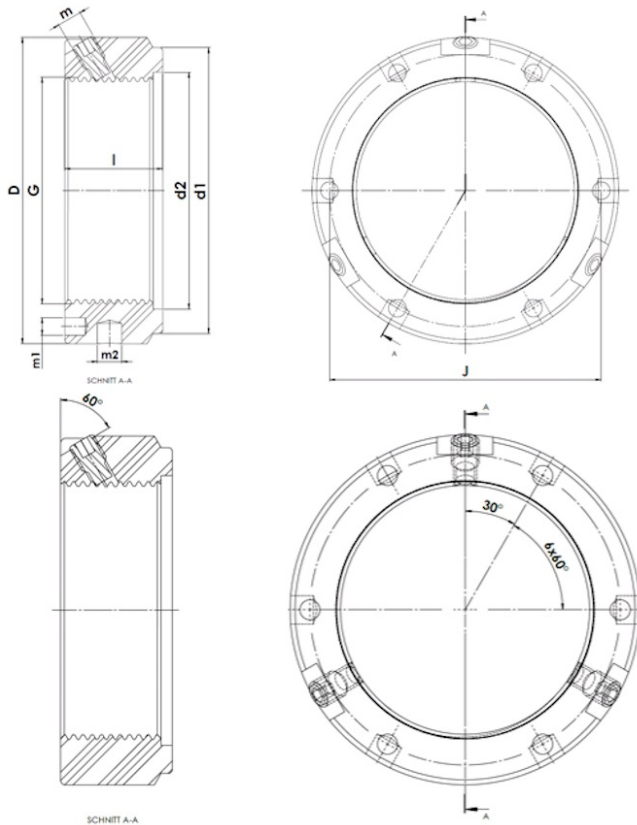




# KMTA 22

KMTA - Precision clamp nut, heavy duty, with three radial clamping pins



## Technical data

G	M110x2
l (mm)	32
D (mm)	140
d1 (mm)	132
d2 (mm)	112
J (mm)	128
m	M10
m1 (mm)	6
m2 (mm)	8
Weight (kg)	1.45

GTIN/EAN

