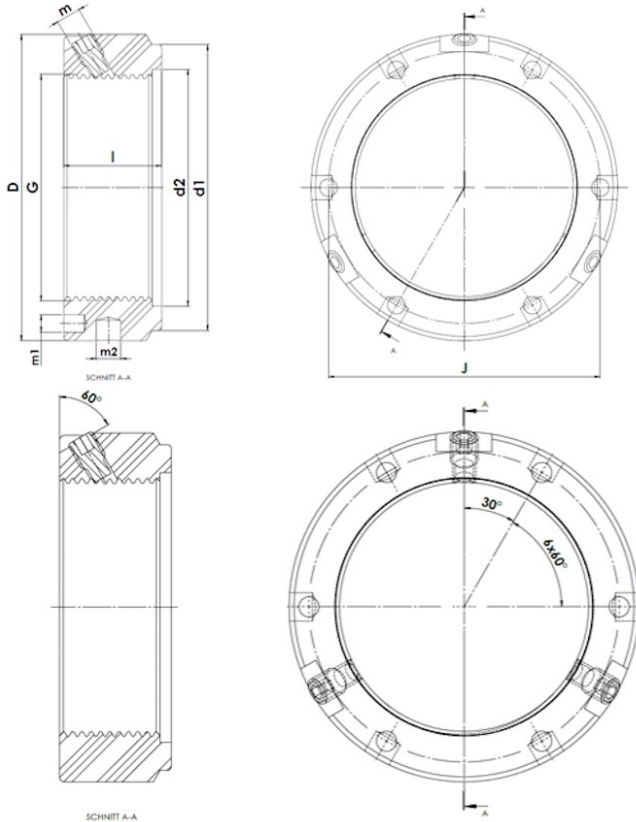




# KMTA 19

KMTA - Precision clamp nut, heavy duty, with three radial clamping pins



## Technical data

|             |       |
|-------------|-------|
| G           | M95x2 |
| l (mm)      | 32    |
| D (mm)      | 125   |
| d1 (mm)     | 114   |
| d2 (mm)     | 98    |
| J (mm)      | 113   |
| m           | M10   |
| m1 (mm)     | 6     |
| m2 (mm)     | 8     |
| Weight (kg) | 1.25  |