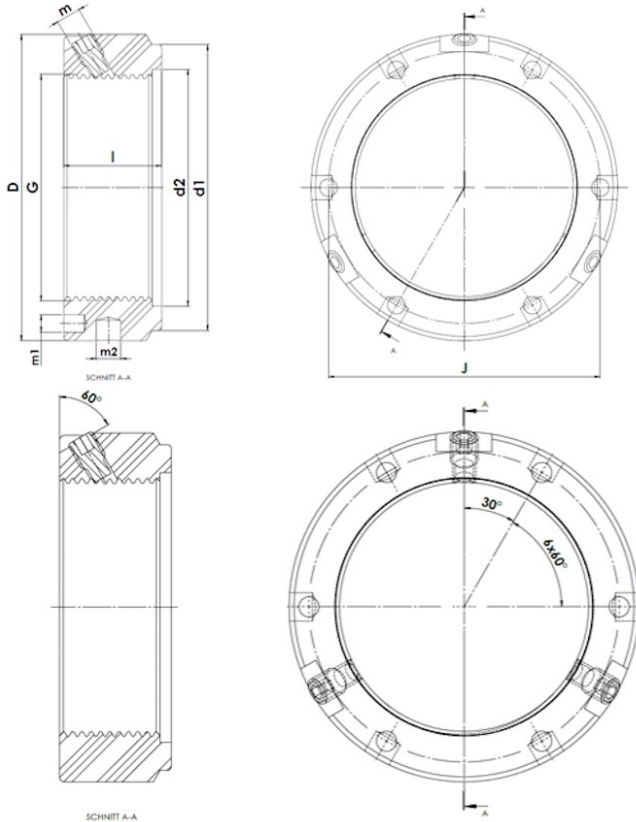




KMTA 16

KMTA - Precision clamp nut, heavy duty, with three radial clamping pins



Technical data

G	M80x2
l (mm)	30
D (mm)	110
d1 (mm)	97
d2 (mm)	83
J (mm)	95
m	M8x1
m1 (mm)	6
m2 (mm)	8
Weight (kg)	1

GTIN/EAN

