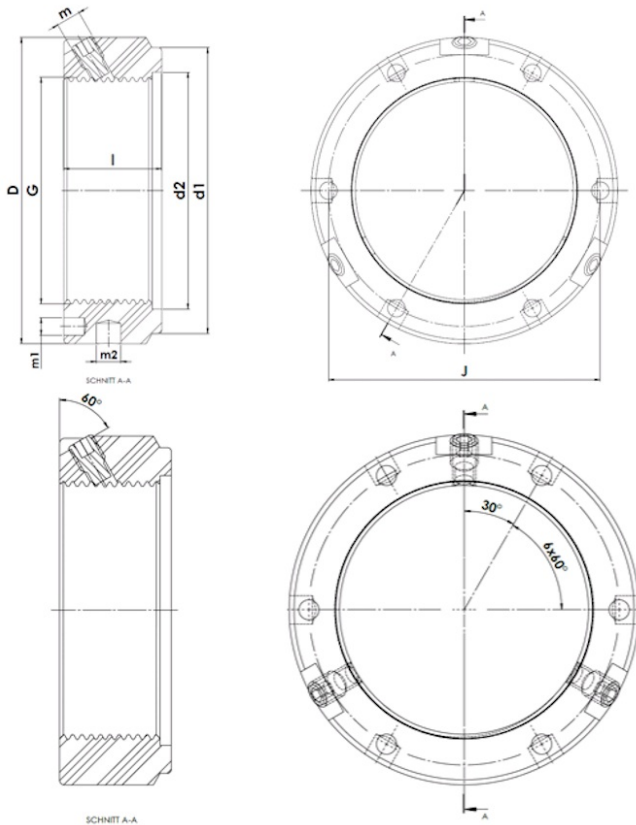




# KMTA 15

KMTA - Precision clamp nut, heavy duty, with three radial clamping pins



## Technical data

G	M75x1,5
l (mm)	26
D (mm)	100
d1 (mm)	91
d2 (mm)	77
J (mm)	88
m	M8x1
m1 (mm)	6
m2 (mm)	8
Weight (kg)	0.66

GTIN/EAN

