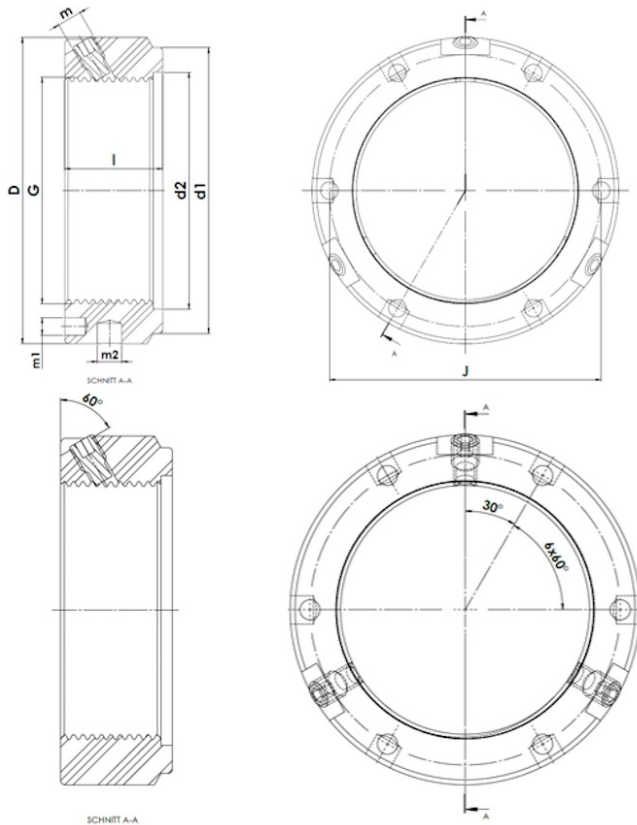




# KMTA 12

KMTA - Precision clamp nut, heavy duty, with three radial clamping pins



## Technical data

G	M60x1,5
l (mm)	24
D (mm)	84
d1 (mm)	75
d2 (mm)	62
J (mm)	74.5
m	M6
m1 (mm)	5
m2 (mm)	6
Weight (kg)	0.49

GTIN/EAN

