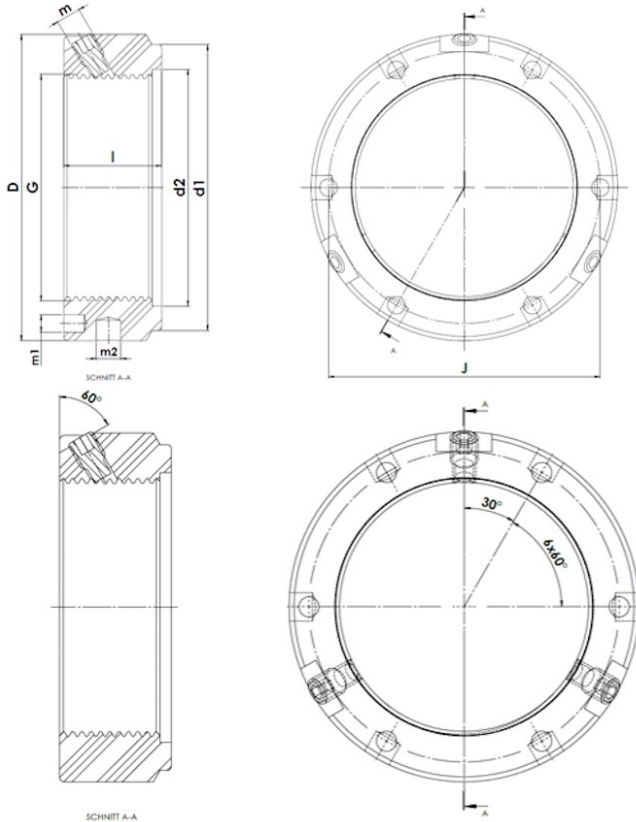




KMTA 11

KMTA - Precision clamp nut, heavy duty, with three radial clamping pins



Technical data

G	M55x1,5
l (mm)	24
D (mm)	75
d1 (mm)	70
d2 (mm)	58
J (mm)	66.5
m	M6
m1 (mm)	4
m2 (mm)	6
Weight (kg)	0.37

GTIN/EAN

