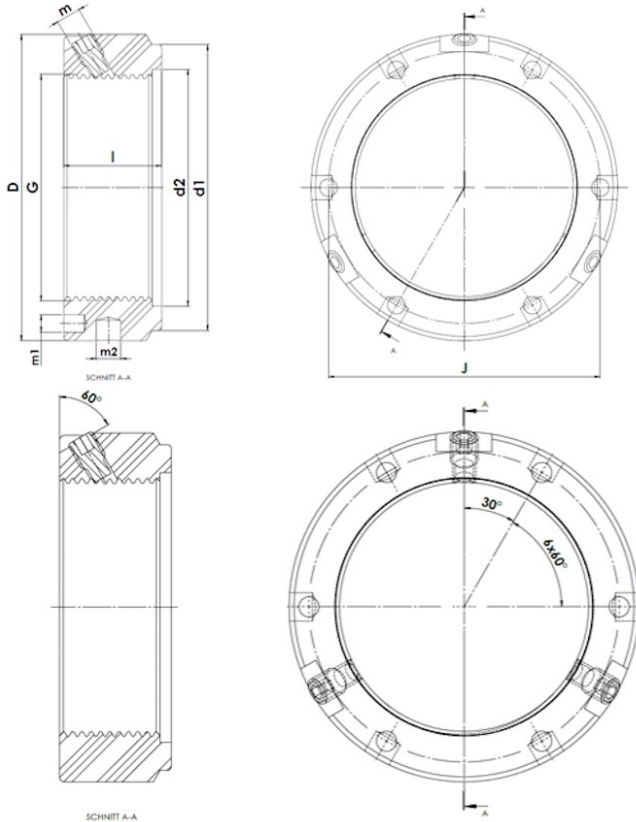




KMTA 10

KMTA - Precision clamp nut, heavy duty, with three radial clamping pins



Technical data

G	M50x1,5
l (mm)	24
D (mm)	70
d1 (mm)	63
d2 (mm)	52
J (mm)	61.5
m	M6
m1 (mm)	4
m2 (mm)	6
Weight (kg)	0.34