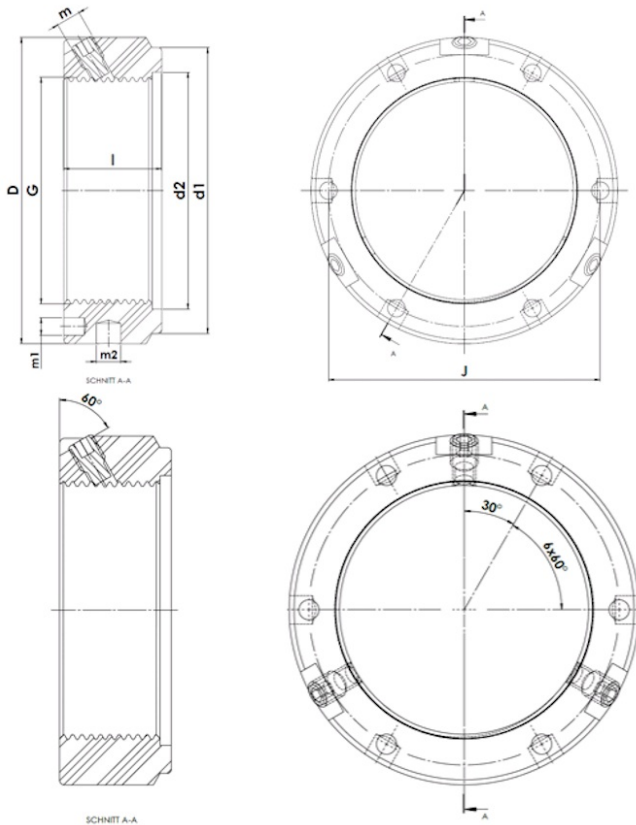




KMTA 9

KMTA - Precision clamp nut, heavy duty, with three radial clamping pins



Technical data

G	M45x1,5
l (mm)	22
D (mm)	68
d1 (mm)	58
d2 (mm)	48
J (mm)	58
m	M6
m1 (mm)	4
m2 (mm)	6
Weight (kg)	0.33

GTIN/EAN

