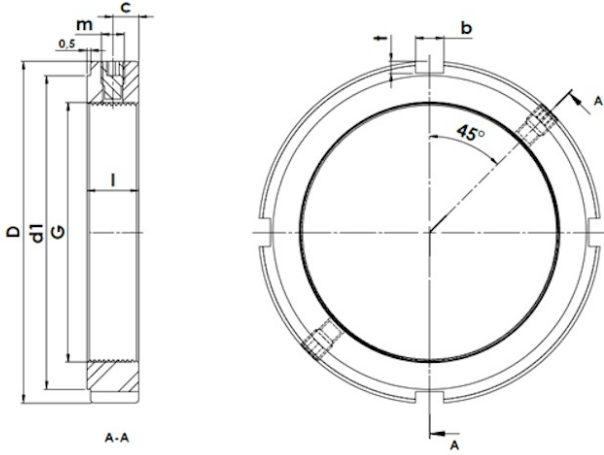




KMF2-100 (ZM100)

Precision clamp nut with two radial clamping pins



Technical data

G	M100x2
l (mm)	20
D (mm)	130
d1 (mm)	120
m	M8
c (mm)	10
b (mm)	10
t (mm)	4
Weight (kg)	0.77