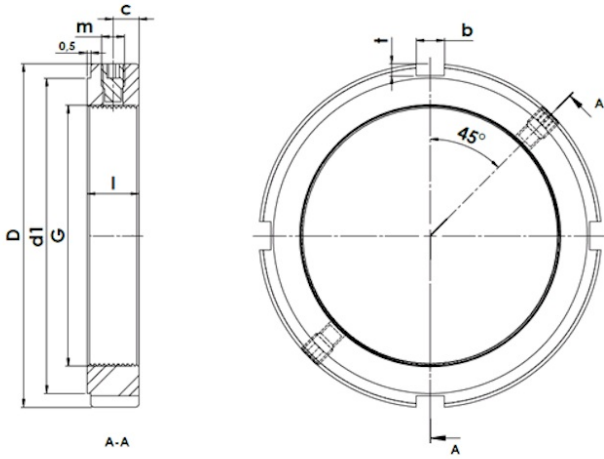




# KMI2-25/58 (ZMA25/58)

Precision clamp nut with two radial clamping pins, heavy duty



## Technical data

G	M25x1,5
l (mm)	28
D (mm)	58
d1 (mm)	52
m	M6
c (mm)	14
b (mm)	6
t (mm)	2.5
Weight (kg)	0.43