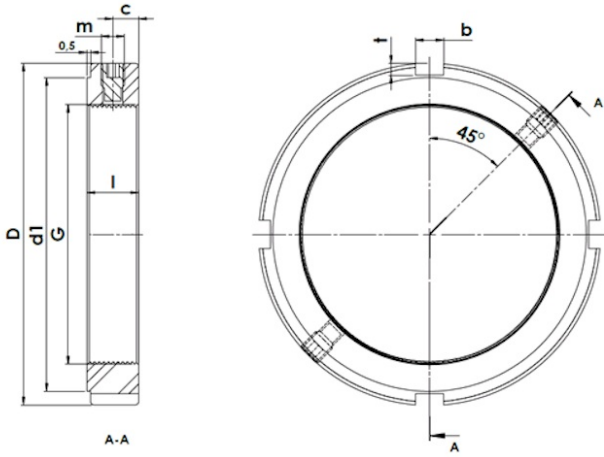




KMI2-25/45 (ZMA25/45)

Precision clamp nut with two radial clamping pins, heavy duty



Technical data

G	M25x1,5
l (mm)	20
D (mm)	45
d1 (mm)	40
m	M6
c (mm)	10
b (mm)	5
t (mm)	2
Weight (kg)	0.16